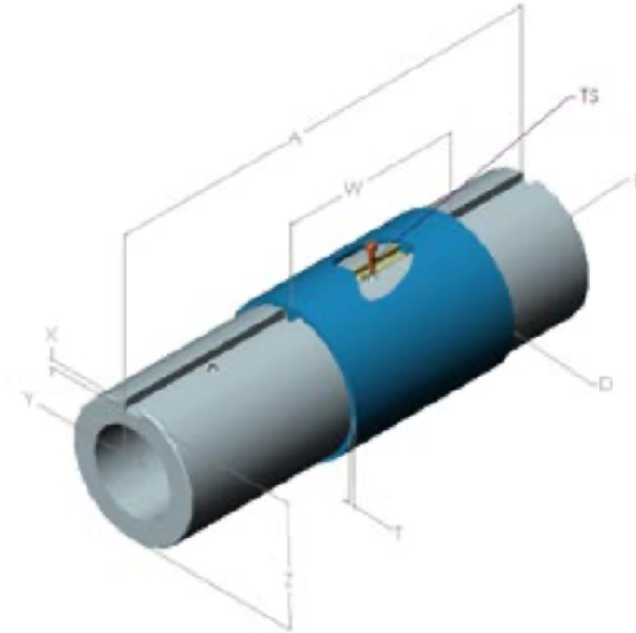


ANVIL QUESTIONNAIRE



ANVIL COVER IDENTIFICATION FORM

Fill in the following information:

CYLINDER	<i>mm</i>	<i>or</i>	<i>inches</i>
"A" CYLINDER LENGTH	_____		_____
"B" CYLINDER OUTSIDE DIAMETER	_____		_____
"TS" THREAD SIZE	_____		_____
 CHANNEL			
"X" CHANNEL DEPTH	_____		_____
"Y" CHANNEL WIDTH	_____		_____
"Z" DIMENSION	_____		_____
 ANVIL COVER			
"D" COVER OUTSIDE DIAMETER	_____		_____
"W" COVER WIDTH	_____		_____
"T" COVER THICKNESS	_____		_____